



High Efficiency Water Terminals

Optimum comfort with low energy consumption



Your investment in efficiency for the future

As energy costs and the impact of energy usage on our environment become more critical, building regulations are focusing more and more on the need to reduce energy consumption. In addition, in today's economic climate an energy-efficient building offers a greater opportunity for leasing or sale at a premium price, so the use of high efficiency HVAC equipment protects the long term value of your building asset.

At Trane we understand your concern to provide a high level of comfort for users, along with lower energy consumption needed to meet environmental regulations and minimize electricity bills. That's why, when you turn to Trane high efficiency water terminals as part of your total HVAC solution, now you will benefit from innovative EC (Electronically Commutated) fan motor technology, which, together with Trane's unique ZN controls, provides a unique combination of optimum low energy use and high comfort.

Intelligent energy use

Air distribution is one area where Trane can give you smart solutions to reduce your building's energy consumption. To minimize power consumption, the energy used by fans has to be optimized and effectively managed both during the initial design of the HVAC system and throughout its entire life cycle. Trane ductable and cassette water terminals with EC motors and integrated, factory mounted ZN controls provide the tailor-made solution.

They offer optimum comfort and energy use benefits that are clear from the moment of installation through the entire life cycle of the air conditioning system:

- The EC motor eliminates the risk of electrical line perturbation inherent in an AC motor with a variable frequency drive and avoids component damage.



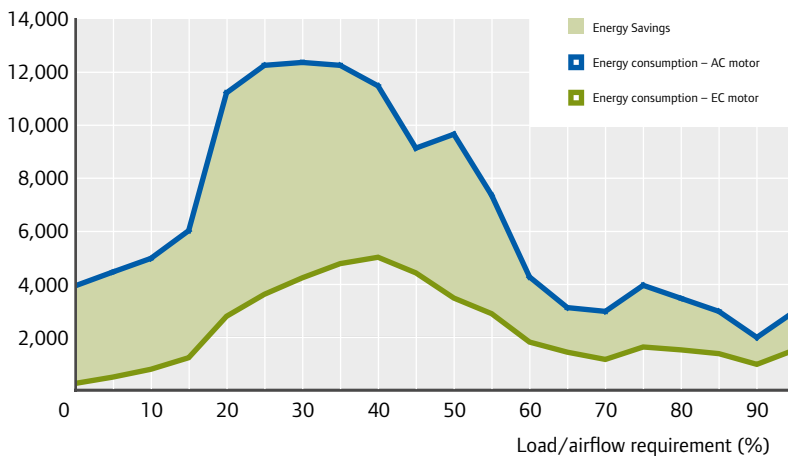
Eurovent certification provides capacity and efficiency compliance, thus confirming and protecting your investment and guaranteeing peace of mind.



- Lower wear on the EC motor ensures improved reliability and thus a longer service life.
- Up to 65% energy use reduction, thanks to the infinitely variable speed fan that always runs at the correct speed to meet the target comfort level at minimum power and reduced utility bills.
- Acoustic comfort is improved compared to a traditional fancoil because the step control, with its perceivable noise shifts, is removed. The unit always operates at the lowest speed necessary to maintain comfort.

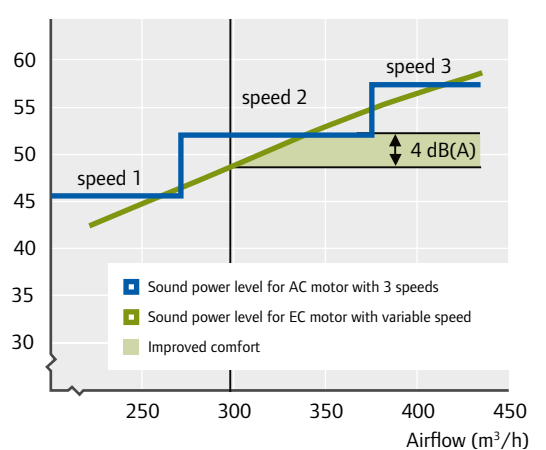
Reduced energy consumption

Annual fan energy usage for a 2 kW water terminal (Wh)



Improved acoustic comfort

Sound power level dB(A)



Units designed to meet today's energy and comfort demands

CWE chilled water cassette

① Control panel with Trane's unique

ZN525 controller for flexibility and high performance. This control can intelligently choose to modulate water flow, rather than just increasing the fan speed, keeping sound levels at a minimum and improving the dehumidification process for better comfort.

② **The adjustable louvers** allow for the best air distribution patterns following the Coanda effect bringing ideal comfort to building occupants. 2 ceiling panel sizes are available: 600x600mm and 800x800mm.

Maintain higher indoor air quality

– variable speed means airflows are optimized and filter life is maximized.

Other unit features:

2-pipe/4-pipe coils and optional electric heater, for cooling or heating applications.

Jobsite time-saving options for high-quality installations:

- Fresh air intake spigot
- Factory-mounted and tested 2-way or 3-way valve kit.
- Factory-mounted condensate pump





FED concealed ductable water terminal

① Control panel with Trane's unique

ZN525 controller for flexibility and high performance. This control can intelligently choose to modulate water flow, rather than just increasing the fan speed, keeping sound levels at a minimum and improving the dehumidification process for better comfort.

Other unit features:

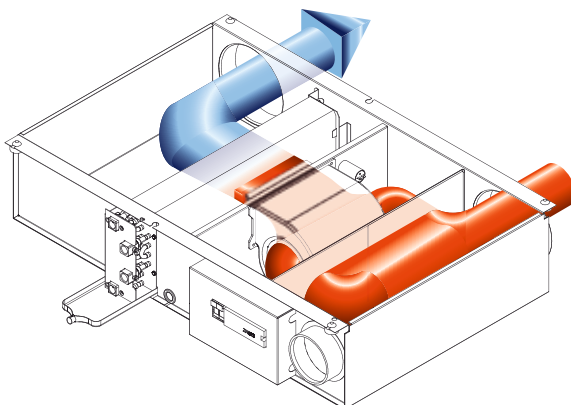
2-pipe/4-pipe coils and optional electric heater, for cooling or heating applications. 4 sizes are available.

② **Smart, quick hanging system** for easy installation. Units are compact at just 225 or 277mm high, and allow easy integration into even the smallest false ceiling space.

Ease of maintenance – as an option, access to the coil for cleaning fan board and the filter is accomplished without removing the unit from the ceiling.

Jobsite time-saving options for high-quality installations

– rubber isolators, flexible hose pipes, valve connection kit, discharge grille and wall thermostats.



The model FEU is specifically designed for installation in office building corridors, with air inlet and outlet on the same side. Service to the units can be done without disturbing the office occupants.



The single source for all your building needs

When you specify a Trane water terminal, you don't just get a top-class product, you also get the expertise to optimize your whole HVAC system and keep your total building operating cost to a minimum while maintaining the utmost level of comfort.

Heating, ventilating and air conditioning systems

Depending on your building or process, you may need a chiller, a rooftop, an air handling unit or other terminal units. And here Trane can help as well. As one of the world's leading HVAC equipment manufacturers we can provide the exact solution. Moreover, Trane equipment comes with factory-mounted controllers for integration within a Trane Building Management System.

Building management systems

The Tracer Summit™ building management system provides supervision and control through a single, integrated system. Its user-friendly graphical interface, associated with its pre-engineered functions, and standard communication protocols allows you to efficiently pilot your building performance.

Tracer Summit™ can help you meet your building's temperature, humidity, ventilation and energy management needs, no matter how challenging. High quality, easy-to-use, integrated and reliable controls are the key to maximizing efficiency and to prolonging the life of your building comfort system.

*Peace of mind from
total accountability*

eds

Your total building solutions

At Trane, we are committed to providing full service solutions that are efficient and reliable, just like our equipment.

Elite Start™

Trane equipment is commissioned by technically competent factory trained technicians. Trane commissioning confirms that the system has been not only accurately installed, but also configured and fine-tuned to operate according to your requirements.

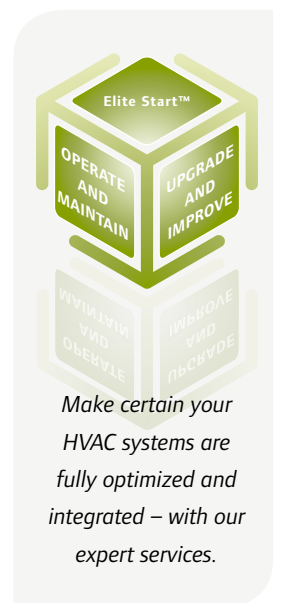
Operate and Maintain

To keep your building operating at top efficiency, Trane Select Contracts and Trane Controls Services provide total building service

solutions. Trane offers technical expertise to maintain or repair your system and the spare parts that go with it. Our full range of HVAC spare parts, both Trane-specific and generic, coupled with our advanced logistics network ensures a quick and reliable service. The result? Even in the rare event of equipment failure, downtime is kept to an absolute minimum.

Upgrade and Improve

To help you conserve energy while maximizing cost saving in your building systems and operations, Trane Care Services offer a wide range of upgrade products to answer your needs in terms of reliability, energy conservation, and respect of the environment.





How do you choose?

There are hundreds of possible system designs and configurations impacting system efficiency levels. How do you possibly narrow the choices and definitively determine the right HVAC system design for your needs? Amazingly, it's quite easy... with Trane's help.

Our System Analyzer™ helps estimate building loads and performs preliminary energy and cost analyses of virtually any building, system, and equipment combination.

For LEED certification, TRACE™ 700 (Trane Air Conditioning Economics) software helps analyze the energy and economic effects of virtually any system configuration. It allows you to manipulate a wide range of variables to create a detailed energy usage profile for your specific building. Unlike overly simplified spreadsheet-based energy analyses, TRACE 700 software

accurately compares the impact of building alternatives. You can test the effects and consequences of different architectural features, HVAC systems, building utilization or scheduling scenarios. And you can see the different economic options for each scenario. This enables you to make genuine life-cycle, cost-based system decisions with absolute confidence.

Call on Trane

We can help you plan, install and manage your next HVAC system – so you can concentrate on your core business. Our experience and expertise in designing, commissioning and maintaining HVAC systems not only guarantees a solution that best answers your needs, it also gives you complete efficiency and peace of mind.

Call us, let's talk.



Trane optimizes the performance of homes and buildings around the world. A business of Ingersoll Rand, the leader in creating and sustaining safe, comfortable and energy efficient environments, Trane offers a broad portfolio of advanced controls and HVAC systems, comprehensive building services, and parts. For more information, visit www.Trane.com.

Trane has a policy of continuous product and product data improvement and reserves the right to change design and specifications without notice.

Trane bvba, Lenneke Marelaan 6, 1932 Sint-Stevens-Woluwe, Belgium, ON 0888.048.262 - RPR Brussels

© 2009 Trane All rights reserved
FIN-SLB004-E4, December 2009

Produced on recyclable paper, using environmentally friendly print practices that reduce waste.

