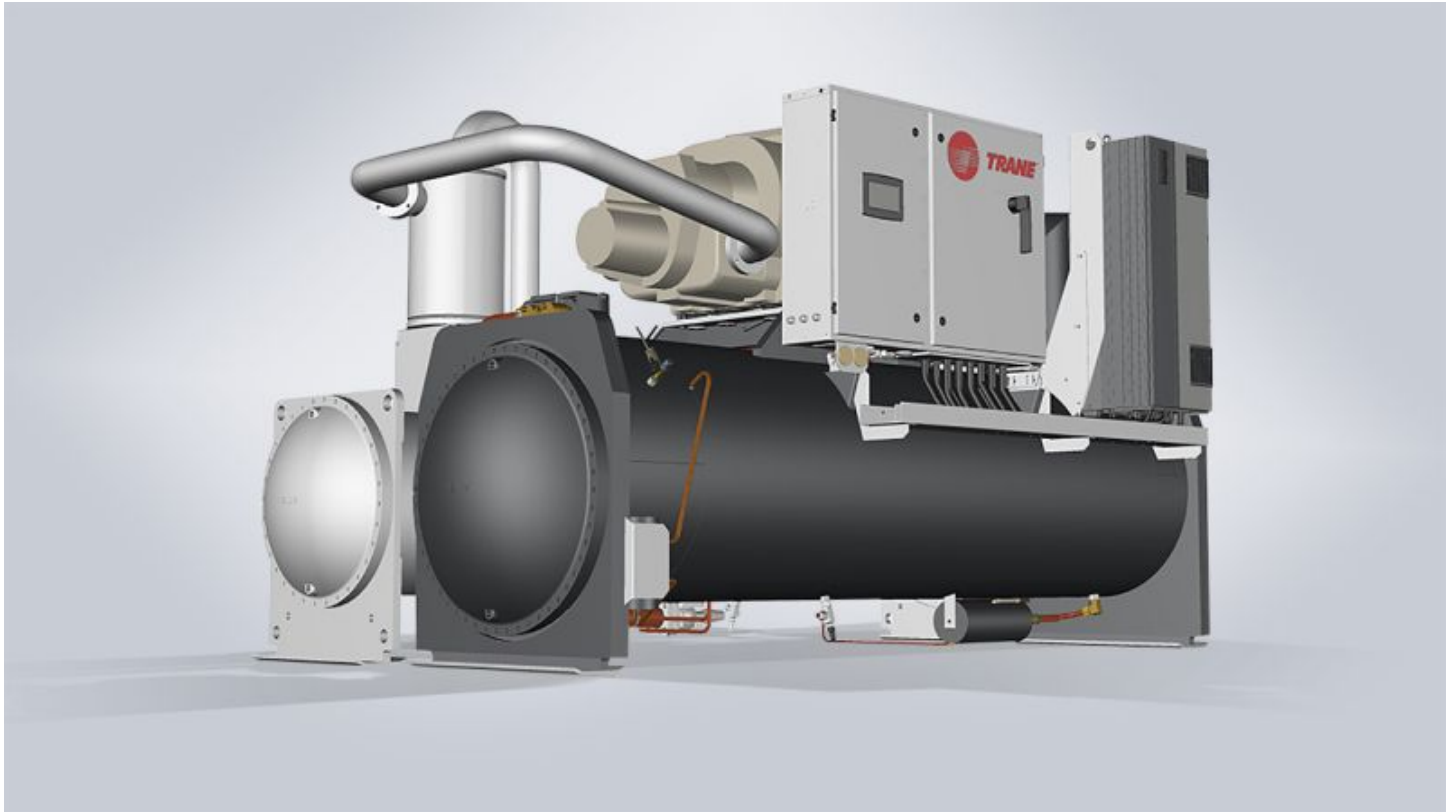


## RTHDevo Water-Cooled Chiller





## RTHDevo Water-Cooled Chiller



**Cooling capacity: 550-1450 kW**

**Heating capacity: -----**

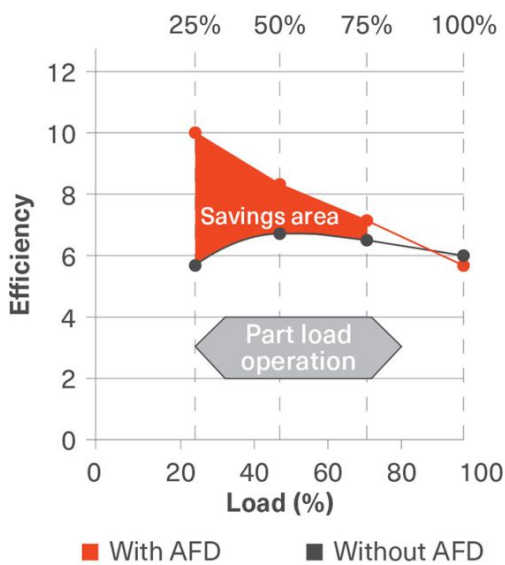
- Compact physical footprint: fits through standard double-width doors
- Low-speed, direct-drive semi-hermetic screw compressor featuring only 3 moving parts, suction-gas-cooled motor
- Simplified piping: the only piping required is for the evaporator and condenser grooved pipe connections
- Falling film evaporator: superior performances with low refrigerant charge
- 4 efficiency levels fitted with Trane AFD with enhanced part load (SEER) efficiencies



### Proven Trane reliability

Trane's legendary reliability is based on over 100 years of designing, testing, installing and maintaining chillers around the world. Every Trane product derives from this unique heritage and our pride in being the best at what we do:

- Trane design simplicity
- Trane direct drive, low speed, semi-hermetic compressor with only three moving parts
- Infinite unloading for exact load matching
- RTHDevo uses system differential rather than a pump to move oil so there are no extra moving parts to wear out or break down



### Increased savings for minimized cost of ownership

Energy costs are minimized by optimizing efficiency while maintenance costs are reduced thanks to effective performance and alarm monitoring. Installation costs are also lower, thanks to design improvements which reduce the time required for new plants or upgrades.

The Adaptive Frequency Drive reduces energy consumption even further by enhanced part load efficiency, fewer start-stop cycles, increased compressor life and reduced start-up current draw.



## A model for every application

Whether your building requires comfort cooling or precision temperature control as part of a sensitive industrial process, Trane offers suitable RTHDevo models for any application.

## Range description

- Operating Conditions: Comfort and Process cooling - From -12 to 30°C on the evaporator side and up to 50°C on the condenser side
- RTHDevo chillers are available in 31 different models with 4 efficiency levels: SE: Standard Efficiency, HE: High Efficiency, XE: Extra High Efficiency, HSE (With AFD): High seasonal efficiency.

## Technical specifications

<b>Cooling capacity</b>	550-1450 kW
<b>Heating capacity</b>	-----
<b>Eurovent certification</b>	●
<b>ErP Certification</b>	●
<b>Refrigerants</b>	R134a
<b>Operating mode</b>	Cooling only
<b>Energy saving</b>	Adaptive Frequency™ Drive
<b>Compressor</b>	Screw

## Product data

### RTHD

	Pc (1) kW	EER (1)	SEER (2)	LwO (3) dB(A)	L (4) mm	W (4) mm	H (4) mm	OW (4) kg
RTHD 225 SE	768,9	5,16	5,88	98	3290	1600	1940	5891
RTHD 250 SE	886,0	5,03	6,00	98	3290	1600	1940	6833
RTHD 300 SE	1049,4	5,03	5,43	97	3290	1600	1940	6335
RTHD 325 SE	1145,4	5,18	5,73	97	3290	1600	1940	6522
RTHD 350 SE	1215,6	5,06	5,75	97	3290	1600	1940	6553
RTHD 375 SE	1342,0	4,81	5,18	101	3290	1600	1940	6655
RTHD 150 HE	545,1	5,49	6,03	98	3170	1600	1850	4361
RTHD 175 HE	595,1	5,43	6,33	98	3170	1600	1850	4361
RTHD 225 HE	778,3	5,36	6,03	98	3290	1600	1940	6030
RTHD 250 HE	895,7	5,26	6,23	98	3290	1600	1940	6030
RTHD 300 HE	1073,6	5,42	5,78	97	3290	1600	1940	6612
RTHD 350 HE	1195,5	5,65	6,15	97	3690	1600	1940	7558
RTHD 375 HE	1278,3	5,60	6,23	97	3690	1600	1940	7589
RTHD 400 HE	1411,1	5,31	5,58	101	3690	1600	1940	7767
RTHD 150 XE	559,3	5,69	6,18	98	3640	1600	1850	4756
RTHD 175 XE	614,1	5,69	6,63	98	3640	1600	1850	4756
RTHD 225 XE	796,8	5,68	6,48	98	3290	1600	1940	6355
RTHD 275 XE	936,7	5,86	6,73	98	3670	1600	1940	6833
RTHD 325 XE	1119,1	5,94	6,28	97	3850	1800	2035	8951
RTHD 350 XE	1203,3	5,88	6,35	97	3850	1800	2040	9196
RTHD 375 XE	1293,9	5,94	6,48	97	3850	1800	2040	9384
RTHD 425 XE	1453,0	5,73	5,95	101	3850	1800	2040	9741
RTHD 150 HSE	559,3	5,51	7,55	98	3640	1690	1850	4860
RTHD 175 HSE	614,1	5,50	7,93	98	3640	1690	1850	4860
RTHD 225 HSE	796,8	5,50	7,78	98	3290	1810	1970	6534
RTHD 275 HSE	936,7	5,67	8,45	98	3670	1810	1970	7012
RTHD 325 HSE	1119,1	5,75	8,60	97	3850	2000	2040	9139
RTHD 350 HSE	1203,3	5,69	8,08	97	3850	2000	2040	9384
RTHD 375 HSE	1292,8	5,72	8,83	97	3850	2000	2040	9572
RTHD 425 HSE	1453,0	5,55	8,23	101	3850	2000	2040	9929

Pc: Cooling capacity  
LwO: A-weighted sound power level outside

EER: Energy Efficiency Ratio (cooling)  
L: Length

SEER: Seasonal Energy Efficiency Ratio  
W: Width



H: Height

OW : Operating Weight

(1): Evaporator water temperature in/out 12/7°C - Condenser water temperature in/out 30/35°C (EN 14511:2022)

(2): Ecodesign rating for comfort chillers. Source water temperature in/out 30/35°C and evaporator water temperature in/out 12/7°C. SEER/η<sub>s,c</sub> as defined in REGULATION (EU) N° 2016/2281 of 20 December 2016

(3): According ISO 9614:2009. Eurovent conditions, with 1pW reference sound power (without accessories)

(4): Basic unit without accessories

---

## Improve Operations

Technology is continuously evolving and Trane Engineering is ahead of the curve in bringing innovation into product development. Our sustainable solutions deliver enhancements to the Trane installed base to make your chillers and heat pumps even "better than before". That's Trane Building Advantage - TBA.

## Trane Rental Services

Cooling and heating are services, not products. A process or a building does not need a chiller or a boiler sitting on a roof, but a reliable and efficiency supply of cold or hot water, cold or warm air. This is the essence of what we do at Trane Rental Services. Let us take care of it for you.



**Read more <https://trane.eu/rental>**

Trane has a policy of continuous product and product data improvement and reserves the right to change design and specifications without notice.



Trane – by Trane Technologies (NYSE: TT), a global climate innovator – creates comfortable, energy efficient indoor environments through a broad portfolio of heating, ventilating and air conditioning systems and controls, services, parts and supply. For more information, please visit [trane.eu](https://trane.eu) or [tranetechnologies.com](https://tranetechnologies.com).